

CH-2608TX

UHD+ Multi-Format to HDBaseT Switcher

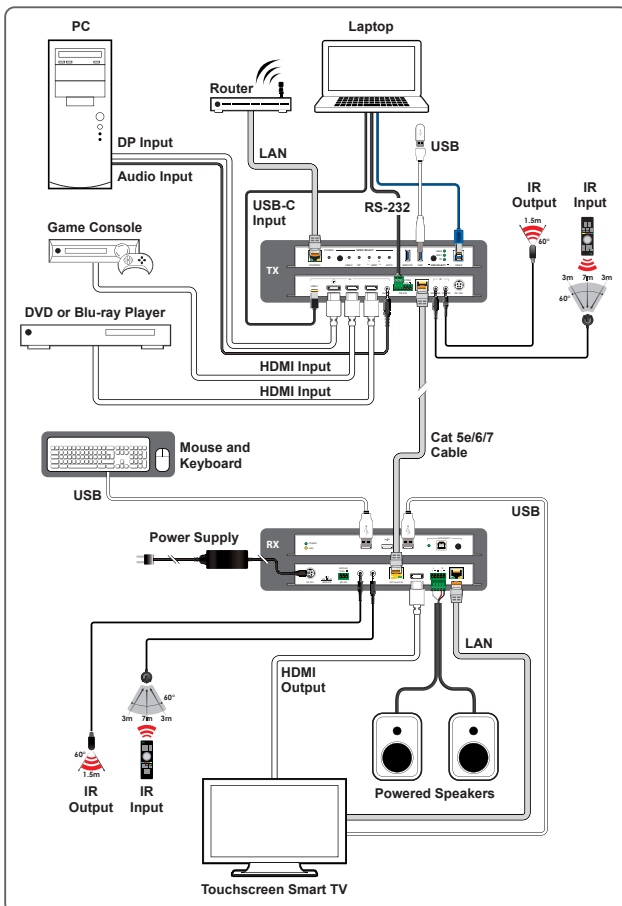


This UHD+ Multi Format to HDBaseT Switch is an HDMI, DisplayPort, and USB-C switch with audio embedding and HDBaseT output. This unit can send high definition uncompressed audio/video signal along with Ethernet, USB, IR, and RS-232 signal over a single Cat.6A cable up to a distance of 100 meters. When paired with this unit's standard receiver, a total of 3 selectable USB host (Type-B/C) connections are available which provide access to 5 USB device (Type-A) ports forming a highly flexible KVM extension configuration (Note: Only 1 USB host may be active at a time). Additionally, the USB Type-C input can provide power (up to 60W) to any connected device (only available when the unit is powered locally). All USB ports on the transmitter support up to USB 3.0 data transfer speeds. The unit can be powered locally with a 24V power supply, or remotely via PoH (Power over HDBaseT) from a compatible HDBaseT receiver, which allows for greater flexibility in installations.

PANELS



DIAGRAM



FEATURES

- HDBaseT output supports resolutions up to 4K@60Hz (4:2:0, 8-bit) with automatic down conversion to 1080p for any sources that exceed HDBaseT's bandwidth limitations, such as 4K@60Hz (4:4:4, 8-bit) or 4K@any (10/12-bit) sources
- Supported HDBaseT feature set: HD Video & Audio, PoH (PD), and Control Extension (Bi-directional IR/RS-232/USB)
- Analog audio may be embedded with all sources
- USB Type-C input can provide power (up to 60W) to any connected device (only available when the unit is powered locally)
- Supports manual input selection or automatic input selection with hot plug detection
- Basic signal event automation (via RS-232 or CEC)
- Supports optionally being powered via PoH from a compatible HDBaseT receiver
- Controllable via front panel button, WebGUI, Telnet, or RS-232

SPECIFICATIONS

Interfaces

Input Port	2 HDMI 1 USB 3.0 (Type-C) 1 DisplayPort 1 Analog Stereo (3.5mm)
Output Port	1 HDBaseT (RJ-45)
Pass-through Port	1 IR Out (3.5mm) 1 IR In (3.5mm) 1 USB 3.0 (Type-B) 1 USB 3.0 (Type-A) 1 RS-232 (3-pin Terminal Block)
Control I/O	1 RS-232 (3-pin Terminal Block)
Pass-through/Control Port	1 LAN (RJ-45)
Pass-through/Service Port	1 USB 3.0 (Type-A)

Video

HDMI Compliance	HDMI 2.0 (DVI 1.0)
HDCP Compliance	2.2
Input Signal Type	4K@60 YUV 4:4:4
Output Signal Type	4K@60 YUV 4:2:0

	Resolutions	
Maximum Input	HDMI	4096x2160p@60 YUV 4:4:4
	USB-C	4096x2160p@30 YUV 4:4:4
	DP	4096x2160p@60 YUV 4:4:4
Maximum Output	HDBaseT	4096x2160p@60 YUV 4:2:0

Audio

HDMI	LPCM (8 Channels)
Line In	2 Vrms

Power

Power Supply	PoH or 24V/3.75A DC (Locking)
Power Consumption	45W (When not providing USB-C power) 106W (When providing USB-C power)

Enclosure

Chassis Material	Metal (Steel)
Chassis Color	Black
Dimensions (W×H×D)	213.5mm×25mm×108mm [Case Only] 213.5mm×25mm×116mm [All Inclusive]
Weight	671g

Field Firmware Update

USB Flash Drive, WebGUI

ORDERING INFORMATION

Model No.	Product Description
CH-2608TX	UHD+ Multi-Format to HDBaseT Switcher
CH-2606RX	UHD+ HDBaseT to HDMI Receiver with USB
CH-2603RX	HDMI/HDBaseT/USB to HDMI Receiver